

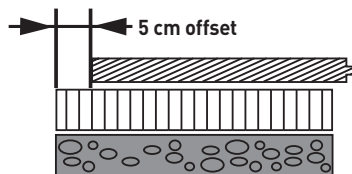
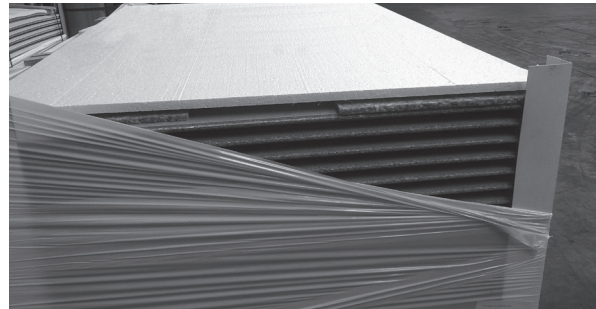
TARAFLEX™ TOP COMFORT AND ENDURANCE SYSTEM

Note: Before fitting, please check with our technical departments that this data sheet has not been amended by a more recent version. You are advised to examine the materials before fitting them in order to identify any visual problem. However, if the material has already been fitted, reworking will not be covered by any warranty.

1 - DESCRIPTION

PANELS	TOP COMFORT	ENDURANCE
Type	Chipboard Honeycomb Blue PU foam	Plywood Honeycomb Pink PU foam
Dimensions	2,05 m x 1,23 m : i.e. 2,52 m ² 2,10 m x 1,28 m	2,05 m x 1,23 m : i.e. 2,52 m ² 2,114 m x 1,294 m
Thickness	3,8 cm	3,7 cm
Weight	12 kg/m ²	12 kg/m ²
Delivery	27 panels per pallet	27 panels per pallet

Panels must be unpacked at least 72h before installation: remove totally plastic film and straps.



Cf. Data sheet
TARAFLEX™ SYSTEM

A bimetallic-strip* effect can occur when unpacking pallets and/or when laying panels. This phenomenon reverses and disappears over time.

* Under the effect of temperature variation, differential expansion of the wood particles or plywood sheets causes panels to bend. This effect may remain visible for several months after laying the sports flooring.

2 - MATERIALS AND TOOLS

MATERIALS SUPPLIED WITH THE ORDER	MATERIALS AVAILABLE TO ORDER FROM GERFLOR	MATERIALS NOT AVAILABLE FROM GERFLOR (TO BE PROVIDED ON SITE)	TOOLS REQUIRED
Polystyrene to put around the hall for expansion (2 cm to 4 cm thick)	Bi-component assembly glue KORAPUR 666, 1 cartridge per 3 panels	Polyethylene film – min thickness 200 microns	Cordex (2 units) minimum 50 linear metres
	Boxouts: cf. product data sheet for the TARAFLEX™ SYSTEM range		Circular saw and jig saw to cut panels
Foam strips (2) to line cutouts in panel ventilation areas	Hardwood door bar: cf. product data sheet for the TARAFLEX™ SYSTEM range	Door bar for outside door	Router to make boxouts
	Skirtings: product data sheet for the TARAFLEX™ system range		Power screwdriver to screw boxouts and door bars
Panels: cf. product data sheet for the TARAFLEX™ SYSTEM range	Suction cup for boxout cover	900 EUROPLAN DSP sold by EUROCOL® (formerly: 900 HELMIPLAN DSP)	Wood chisels
			Drill
			Sledgehammer
			Wooden spar (5 x 5 cm)

■ 3 - SUBSTRATES

3.1 - New substrates containing water-based binders

Defined in article 4.11 of standard NF-P-90 202, with moisture level less no more than 10%, completed, modified or specified as follows.

- Substrates where the drying time is too short do not meet the requirements of NFP 62.203 or NFP 90 202.
- Cracked substrates not enabling glued fitting as per current best practice.
- Dirty substrates (oily patches, etc.) not enabling the substrate to be correctly prepared for glued flooring.
- The drying time for substrates is at least 28 days.
- Dryness of the substrate measured using the carbide bomb method from a depth of 4 cm.

Preparation

Insulation joint	Must be packed with a flexible, elastic material
Expansion joint Shrinkage joints Construction joints	No special treatment

3.2 - New bituminous concrete substrates

Defined in standard NF P 90-202.

Period before recoating/covering: minimum 15 days after laying the top surface.

3.3 - New asphalt substrates

Defined in standard NF P 90-202.

3.4 - Renovated substrates

Old substrates (employing water-based binders, hydrocarbon binders or others) not level enough to meet standard NF P 90-202, but not more than 8 mm.

Old sports flooring (PVC, Rubber, Resin, Matting, etc.)

Block parquet on bearers.

Other cases: consult us.

■ 4 - ACCEPTING AND PREPARING SUBSTRATES

Specific constructive provisions to avoid rising damp must be followed.

SUBSTRATE TYPES	NEW SUBSTRATE	RENOVATION
Substrate tolerance (1) 2.00 m rule	3 mm	8 mm
Finished structure tolerance (1-2) 2.00 m rule	3 mm	8 mm
Dryness	< 10% The TARAFLEX™ SYSTEM is always laid on a polyethylene film, ≥ 200 microns thick.	

(1) Figures given for tolerances are the maximum.

(2) The finished structure includes the flooring.

■ 5 - STORAGE AND LAYING CONDITIONS

5.1 - Storage

Panels and sports flooring must be stored in dry, well-aired places away from damp and at an ambient temperature > or = 15°C for 48 hours before laying. Atmospheric moisture (relative humidity) must be between 30 and 60%.

Opening TARAFLEX™ SYSTEM packs

IMPORTANT: These conditions must be maintained throughout installation. :

If there is moisture in the hall (new construction), it is recommended to ventilate the hall for 4 to 6 weeks before installing TARAFLEX™ SYSTEM. Maintain this ventilation throughout installation. See article 6.111 of NF P 62 203 1 (DTU 53.2).

5.2 - Atmospheric moisture and substrate

Acclimatisation period

ESSENTIAL: Three days before installation, the ambient temperature in the hall must be between **15 and 30°C**.

Atmospheric moisture (relative humidity) must be between **30 and 60 %**.

Once these conditions have been reached, all protective and packaging sheets must be removed from the bearers and panels to allow the materials to acclimatise. The materials must have rested three days after unpacking before use.

IMPORTANT : While building the sub-structure, maintain the same conditions (room temperature 10 to 20°C, relative humidity between 30 and 60%). If there is moisture in the hall (new construction), it is recommended to ventilate the hall for 4 to 6 weeks before installing TARAFLEX™ SYSTEM.

It may be necessary to heat the premises before laying TARAFLEX™ SYSTEM

A bimetallic-strip* effect can occur when unpacking pallets and/or when laying panels. This phenomenon reverses and disappears over time.

** Under the effect of temperature variation, differential expansion of the wood particles or plywood sheets causes panels to bend. This effect may remain visible for several months after laying the sports flooring.*

To use glues, the temperature range on the floor is +10°C to +30°C.

■ 6 - LAYING TARAFLEX™ TOP COMFORT AND ENDURANCE SYSTEM

6.1 - Laying the 'rising damp barrier' film

Polyethylene sheets, minimum 200 microns thick, must be laid over the entire substrate, with minimum 20 cm overlaps. They are laid up the skirting of the hall to the finished height of the TARAFLEX™ SYSTEM.

This overlap is secured using single-sided adhesive tape. Polyethylene sheets are not necessary for installation on old parquet.

6.2 - Fitting wooden wedges or Polystyrene strips for expansion

EXPANSION: 2 cm / 10 m on both sides.

Eg. A gym 40 m x 20 m:

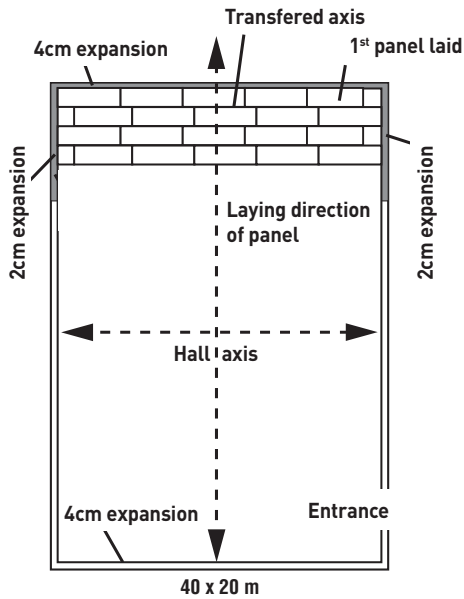
Length: 4 cm – Across: 2 cm

Put wooden wedges or polystyrene strips from panels protection around the entire border to the required expansion width. Put the wedges or strips in place as panels are laid around the edge of the hall.

6.3 - Laying, interlocking and gluing TARAFLEX™ SYSTEM panels

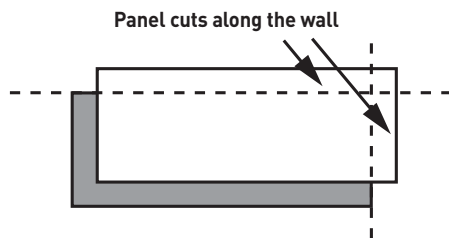
6.3.1 - Locating and marking starting lines

- Trace the centre lines of the hall on the substrate:
 - Transverse given by the boxouts for volleyball or tennis posts.
 - Longitudinal given by boxouts for handball nets.
- Transfer the transverse axis to the corner previously selected to start installing TARAFLEX™ SYSTEM.
- Transverse axis transferred between 40 cm and 1.18 m, depending on hall layout.
- Mark the axes using a string stretched along the panel joints.
- These will serve as a reference throughout installation.
- Take account of matching cuts on both sides of the hall and corners that are not square.
- Fit strips of polystyrene for the edge expansion joint as the panels are laid. They will be removed before laying the sport floor.
- The place to start laying panels is selected on the basis of access and the supply of panels.



6.3.2 - Laying the 1st transverse row

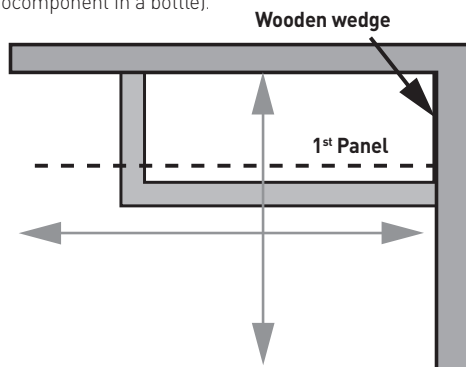
To avoid the edge panels overhanging, cut the upper part offset.



Remember the corners of the hall may not be square.

Lay the corner panel.

Apply assembly glue to the transverse overlap and in the groove. Wood glue, not supplied, bi-component mixed glue in cartridges (see table §3.5.3), applied using a cartridge gun, or monocomponent in a bottle).



Interlock the 2nd panel.

6.3.3 - Gluing panels together

Assembly glue, available to order from Gerflor.

Bi-component mixed glue in cartridges is applied using a cartridge gun.

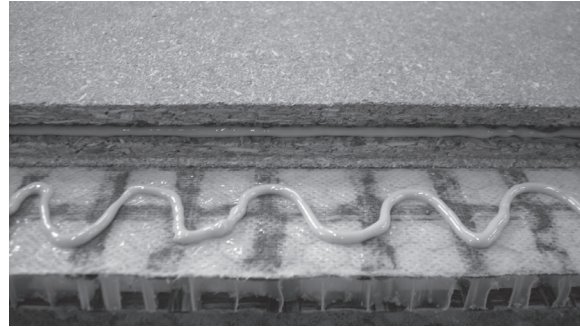
- Position the cartridge in the gun then move the piston forward until it touches the end of the cartridge to hold it in place.
- Fit the mixing rod.
- Insert it as far as the disc separating the 2 components and screw it in until a click is heard.
- Push it up and down twenty times. Check to see if the colour is uniform. Then remove the rod and attach the extrusion nozzle

or tube.

- Coverage: 1 cartridge to assemble 3 panels.

Recommendations are provided on the cartridges.

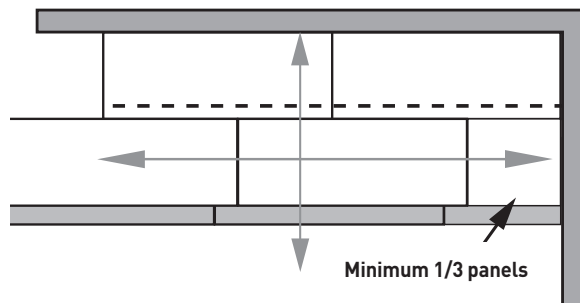
Apply assembly glue in the groove and in a zigzag on the honeycomb section.



Interlock the 2nd panel.

6.3.4 - Laying the second transverse row by interlocking panels (random joints)

Begin the second row with the offcut from the previous row. The cut must represent at least 1/3 of the panel.



Tightening panel joints using ratchet straps.

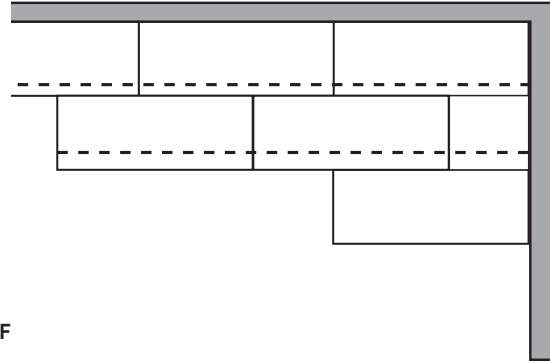


Using a panel offcut and a wooden spar (5 x 5 cm) and interlocking panels with a sledgehammer.

6.3.5 - Laying subsequent rows by interlocking

Continue in the same manner (random, offset joints)

WARNING: If on the last row, the longitudinal cut is located in the ventilation area of the panel (area without foam), fill this part using the foam supplied on the pallet, sticking it in place with acrylic glue.

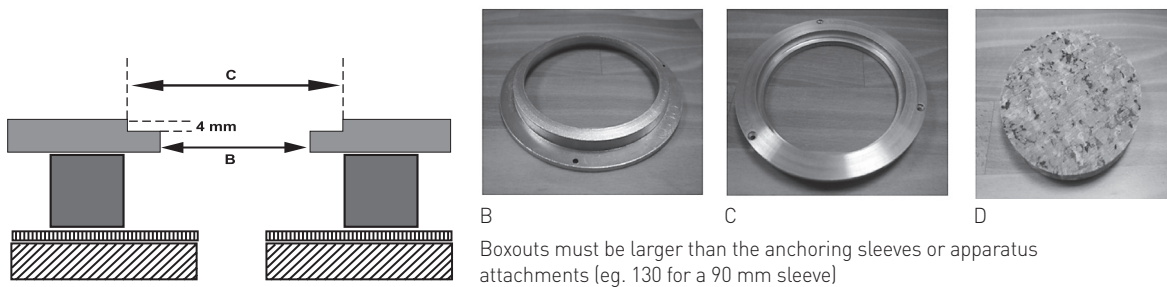


7 - CHOICE OF COVERS FOR BOXOUTS BASED ON THE DIAMETER OF POSTS

The covers for boxouts must be larger than the diameter of the posts or apparatus attachments.

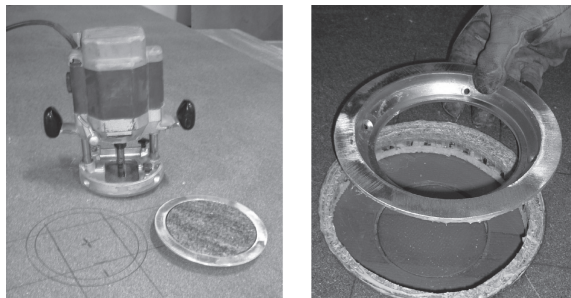
Eg: For a 90 mm diameter Volleyball post, order a boxout cover 130 mm in diameter, to maintain play for expansion of the panels.

	A INTERIOR	B CUTOUT INTERIOR	C RIM EXTERIOR	D COVER
Large boxouts	Ø 180 mm	Ø 200 mm	Ø 230 mm	Ø 190 mm
Medium boxouts	Ø 130 mm	Ø 150 mm	Ø 180 mm	Ø 140 mm



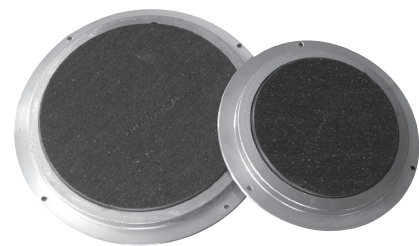
7.1 - Fitting boxout covers

- Boxouts and apparatus anchorages must not stand proud above the floor level.
- Cut the wooden panels to interior diameter B + 1 mm after measuring accurately.
- Use a router to cut the panel to diameter C and a depth of 4 mm.



Router to cut diameter C + 1 mm to a depth of 4 mm

Réf : H200 0001
and H233 0002

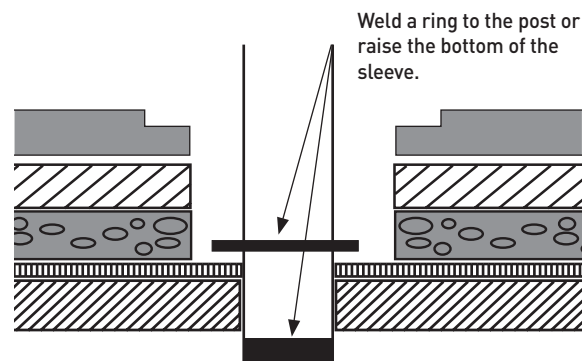


7.2 - Posts

Volleyball or Tennis posts will be raised by welding a ring around the tube or putting a ring the thickness of the chosen Tx Sport at the bottom of the sleeve

7.3 - Suspended Basketball nets

They must be raised to the height of the chosen TARAFLEX™ SYSTEM.



8 - JOINTS BETWEEN PANELS

For visual defects on panels or occasional repairs:

DÉFAUTS	MÉTHODE
Adjacent panels not flush (tolerance 0.3 mm)	Sanding (100 grit). Alcohol-based primer on sanded area.
Defects on panels (broken corners, dents, etc.)	Apply 900 EUROPLAN DSP eurocol® filler (not supplied by Gerflor), using a trowel. Finish by sanding (80-100 grit).
Joints open between panels (max 2 mm)	Apply 900 EUROPLAN DSP eurocol® filler (not supplied by Gerflor), using a trowel. Finish by sanding (80-100 grit).
Joints open between panels (from 2 to 4 mm)	<p>Saw the joint between the panels on the tongue side to a depth of 5 mm and width of 4 mm using a circular saw.</p> <p>Remove dust thoroughly using a vacuum cleaner.</p> <p>Prepare Korapur 666 glue as per instructions given on the tubes.</p> <p>Inject the glue into the joint to fill it.</p> <p>Smooth the surface with a spatula.</p> <p>After shrinkage, sand the filled joints.</p> <p>Apply 900 Europlan DSP filler if the joint is uneven.</p>

EUROCOL®: tel 33 (0)3 88 05 68 68 / www.eurocol.com

9 - LAYING GLUED TARAFLEX™ SPORT FLOORING

To use primers and glues, the temperature range for the floor must be between +10°C and +30°C.

9.1 - Priming wooden panels

An aqueous-based polychloroprene primer (catalogue number 047 Neodis Primer from Eurocol®) must be applied over the entire panel surface:

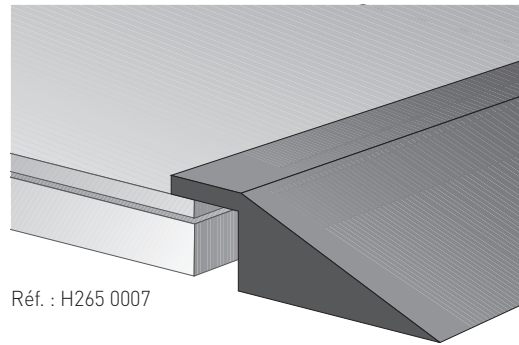
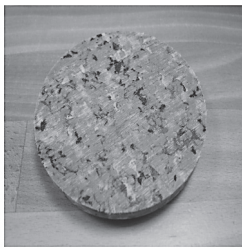
9.2 - Gluing the flooring

Cf. See laying glued sports hall floors.
Apply glue with an A2 spatula as per TKB standard.
Coverage: 250 to 300 g/m².

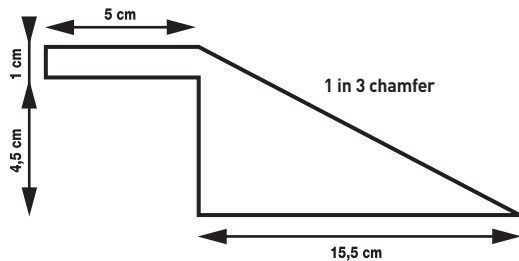
9.3 - Cutting the flooring round boxouts

Circular cutters are available to ensure a clean finish around boxouts.

- Circular cutter with a cut centring device: Ref. 262 262 550 from JANSER
- Glue the flooring to the cover.



Réf. : H265 0007



Exterior door or to cover expansion joint

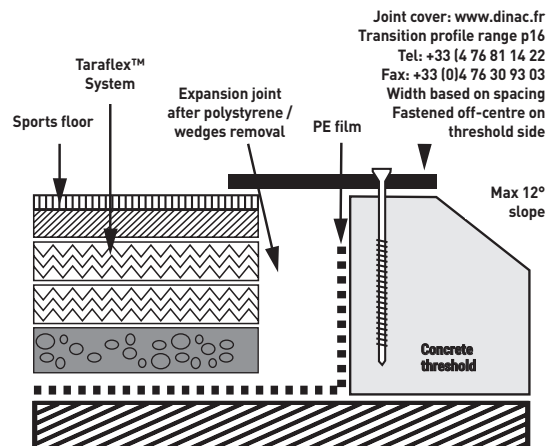
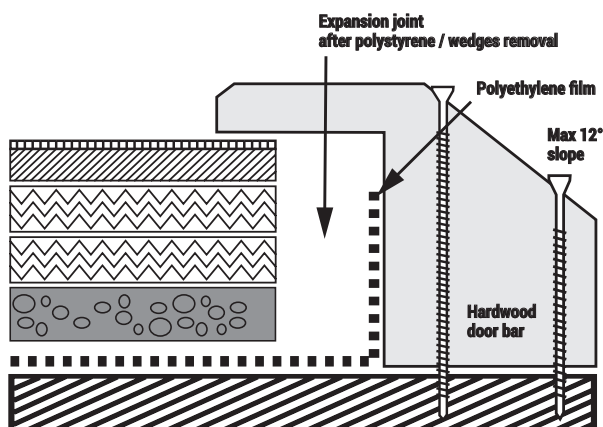
Masonry plinths are built in place.
The cover for the joint is screwed to the plinth.

10 - FINISHES

10.1 - Door bars

Interior doors

WOODEN DOOR BAR	DESCRIPTION	PART NUMBER	ITEM CODE
Hardwood door bar	Door bar 4,5 cm x 2 m	Door bar BE TX	H201 0007



10.2 - Edge expansion joints

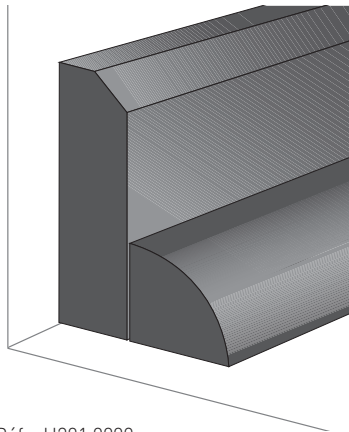
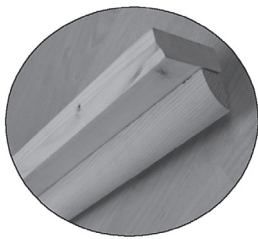
Use the same joint cover as for exterior doors
 (Joint cover: www.dinac.fr Transition profile range, p.16
 Tel: +33 (4 76 81 14 22 - Fax: +33 (0)4 76 30 93 03
 Width based on spacing. Fastened off-centre on one side).

For specific points, such as:

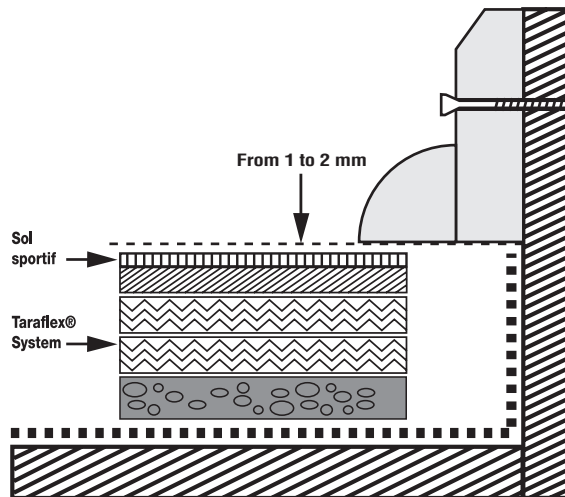
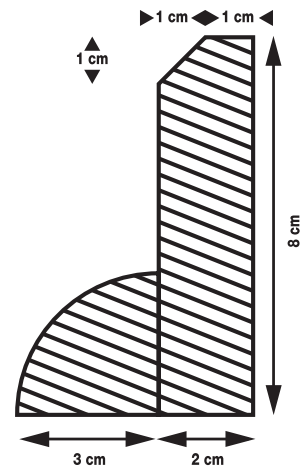
Disabled access, emergency exits, etc., consult us.

10.3 - TARAFLEX™ SYSTEM skirtings

	DESCRIPTION	PART NUMBER	ITEM CODE
White wood skirting	Edge skirting 2 m x 8 cm x 5 cm	Door bar BB TX	H201 0009



Réf. : H201 0009



■ 11 - GAME LINES

Lay out the game lines from the sleeves for posts sealed in the gymnasium sub-floor and not from the boxouts made in the TARAFLEX™ SYSTEM.

Volleyball and Tennis posts

Volleyball and tennis posts are raised by welding a ring around the tube.

Suspended basketball nets

They must be raised to the height of the chosen TARAFLEX™ SYSTEM.

IMPORTANT: commissioning deadlines:

- For normal pedestrian traffic, commissioning takes place 24 hours at least after completion of the work.
- For the installation of sports equipment and the traffic of rolling loads it is necessary to wait 72 hours.
- It is necessary to distribute the static and dynamic loads when setting up in the table tennis table room folded or open, referee tables, or use of carts solid storage, removable basketball boards, approved equipment, elevating platforms, forklifts, utilities...

The raceways and distribution plates must be dimensioned and positioned according to the loads.

See [803] STATIC AND DYNAMIC LOAD

Do not use furniture with rubber feet.